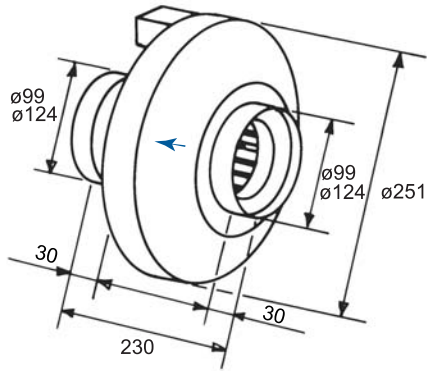


# Circular duct fans

## RVK 100-125



- Speed-controllable
- Integral thermal contacts
- Can be installed in any position
- Maintenance-free and reliable

The RVK series is designed for installation in ducts. The fans have backward-curved blades and external rotor motors. The FK mounting clamp facilitates easy installation and removal, and prevents the transfer of vibration to the duct. The fans can be speed-controlled via a stepless thyristor or a 5-step transformer.

The RVK 100E2-A1 and 125E2-A1 models are impedans protected. RVK 125E2-L1 models have integral thermal contacts with electric reset. The casing is manufactured from fibreglass reinforced plastic.

RVK		100E2-A1	125E2-A1	125E2-L1
Voltage/Frequency	V/Hz	230	230	230
Phase	~	1	1	1
Power	W	32	31	80
Current	A	0,19	0,19	0,35
Maximum air flow	m <sup>3</sup> /s (m <sup>3</sup> /h)	0,05 (175)	0,062 (225)	0,097 (350)
R.p.m.	min <sup>-1</sup>	2500	2490	2350
Max. temp of transported air	°C	60	60	60
Max. temp of transported air when speed-controlled	°C	60	60	60
Sound pressure level at 3 m	dB(A)	35	39	44
Weight	kg	2	2	2
Insulation class		B	B	B
Enclosure class		IP 44	IP 44	IP 44
Capacitor	µF	-	-	2
Motor protection		Impedance	Impedance	Integral
Speed control, five step	Transformer	RE 1,5	RE 1,5	RE 1,5
Speed control, five step high/low	Transformer	REU 1,5	REU 1,5	REU 1,5
Speed control, stepless	Thyristor	REE 1	REE 1	REE 1
Wiring diagram p. 12-15		1	1	2

## Accessories



BFB p. 479



FK p. 479



SG p. 481



VK p. 481



IGK p. 482



RSK p. 480



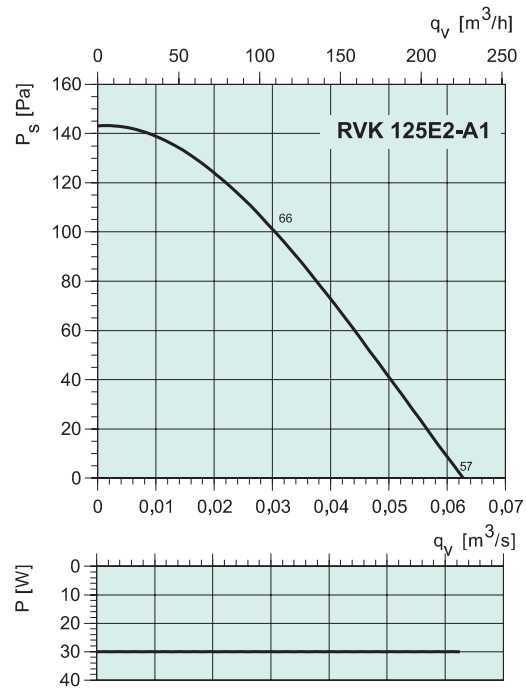
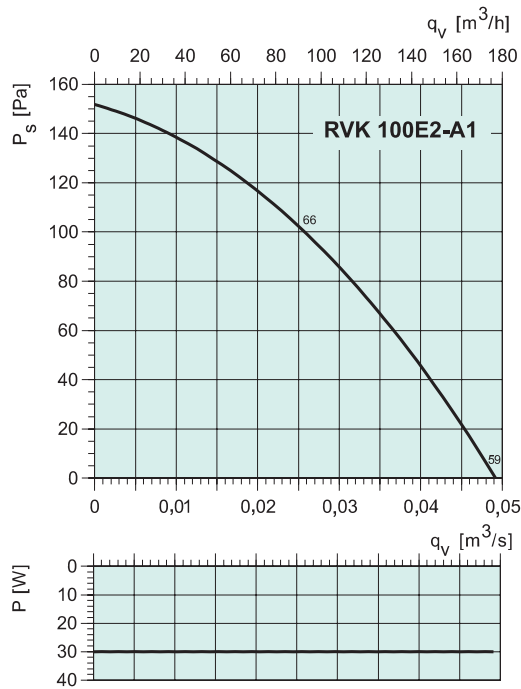
LDC p. 470



FFR p. 470



CB p. 472



### RVK 100E2-A1

**Mid-frequency band, Hz**

	Hz	Tot	63	125	250	500	1k	2k	4k	8k
L <sub>WA</sub> Duct	dB(A)	66	48	53	60	59	57	56	50	44
L <sub>WA</sub> Surrounding	dB(A)	42	35	23	26	34	38	34	30	24

**With LDC 100-600**

L <sub>WA</sub> Duct	dB(A)	50	44	45	46	33	23	15	5	19
----------------------	-------	----	----	----	----	----	----	----	---	----

Measuring point: q<sub>v</sub> = 0,026 m<sup>3</sup>/s, P<sub>s</sub> = 100 Pa

### RVK 125E2-A1

**Mid-frequency band, Hz**

	Hz	Tot	63	125	250	500	1k	2k	4k	8k
L <sub>WA</sub> Duct	dB(A)	66	48	53	60	59	57	56	50	44
L <sub>WA</sub> Surrounding	dB(A)	46	40	27	30	38	42	38	34	28

**With LDC 125-600**

L <sub>WA</sub> Duct	dB(A)	52	45	47	48	37	29	19	12	22
----------------------	-------	----	----	----	----	----	----	----	----	----

Measuring point: q<sub>v</sub> = 0,03 m<sup>3</sup>/s, P<sub>s</sub> = 100 Pa

### RVK 125E2-L1

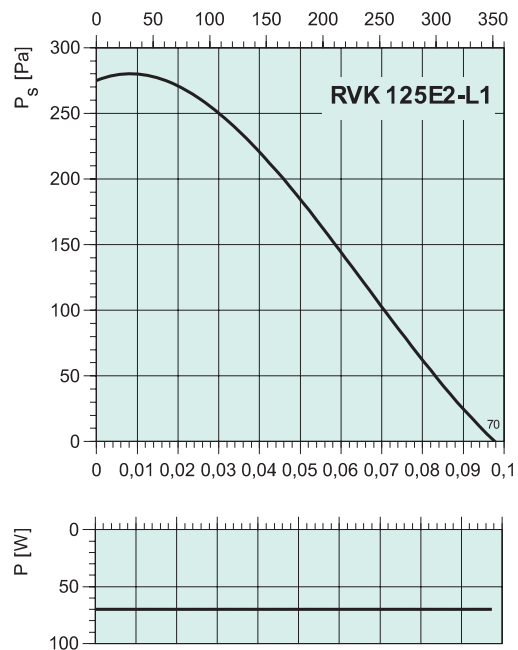
**Mid-frequency band, Hz**

	Hz	Tot	63	125	250	500	1k	2k	4k	8k
L <sub>WA</sub> Duct	dB(A)	70	52	57	64	63	61	60	54	48
L <sub>WA</sub> Surrounding	dB(A)	51	45	32	35	43	47	43	39	33

**With LDC 125-600**

L <sub>WA</sub> Duct	dB(A)	56	49	51	52	41	33	23	16	26
----------------------	-------	----	----	----	----	----	----	----	----	----

Measuring point: q<sub>v</sub> = 0,09 m<sup>3</sup>/s, P<sub>s</sub> = 14 Pa

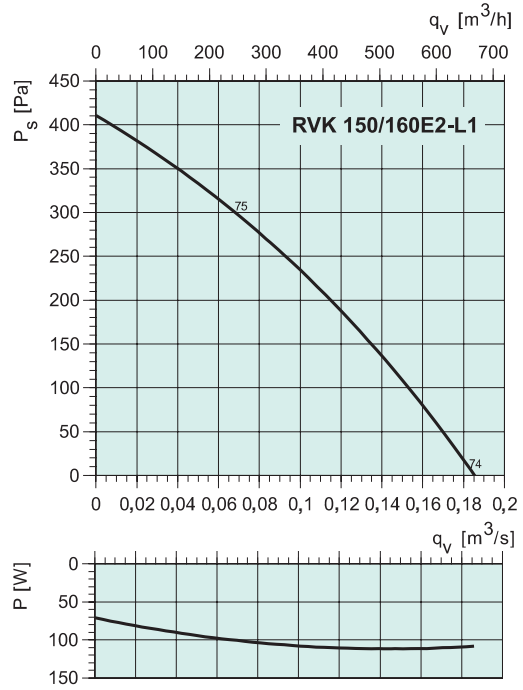
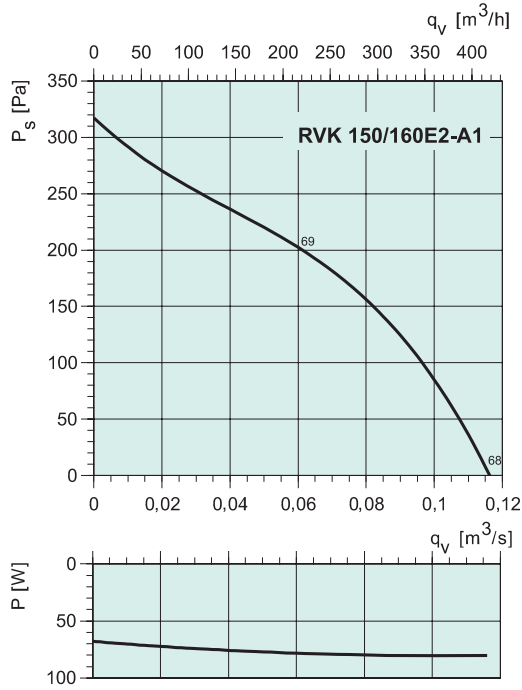


## Electrical accessories



Transformer p. 454 Thyristor p. 456





### RVK 150/160E2-A1

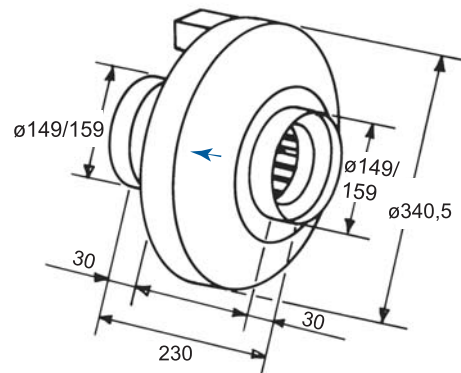
**Mid-frequency band, Hz**

	Hz	Tot	63	125	250	500	1k	2k	4k	8k
L <sub>WA</sub> Duct	dB(A)	69	51	56	63	62	60	59	53	47
L <sub>WA</sub> Surrounding	dB(A)	51	45	32	35	43	47	43	39	33

**With LDC 160-900**

L <sub>WA</sub> Duct	dB(A)	56	48	51	53	44	37	26	23	28
----------------------	-------	----	----	----	----	----	----	----	----	----

Measuring point: q<sub>v</sub> = 0,06 m<sup>3</sup>/s, P<sub>s</sub> = 200 Pa



### RVK 150/160E2-L1

**Mid-frequency band, Hz**

	Hz	Tot	63	125	250	500	1k	2k	4k	8k
L <sub>WA</sub> Duct	dB(A)	75	57	62	69	68	66	65	59	53
L <sub>WA</sub> Surrounding	dB(A)	60	54	41	44	52	56	52	48	42

**With LDC 160-900**

L <sub>WA</sub> Duct	dB(A)	59	54	54	53	41	30	18	22	32
----------------------	-------	----	----	----	----	----	----	----	----	----

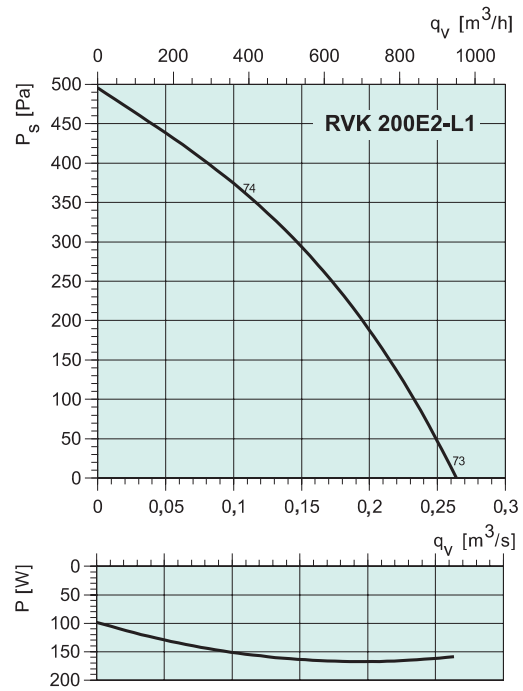
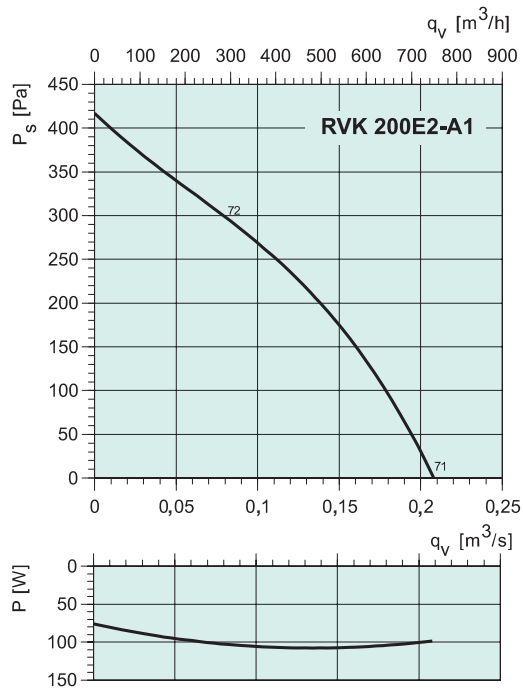
Measuring point: q<sub>v</sub> = 0,07 m<sup>3</sup>/s, P<sub>s</sub> = 301 Pa

### Electrical accessories



Transformer p. 454 Thyristor p. 456





### RVK 200E2-A1

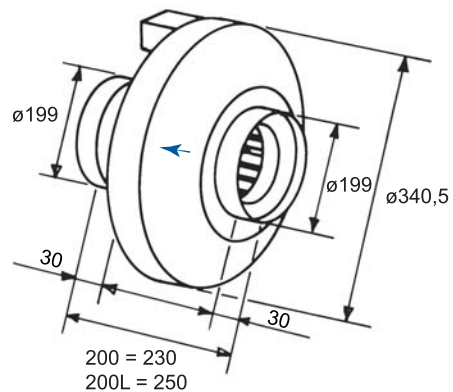
Mid-frequency band, Hz

	Hz	Tot	63	125	250	500	1k	2k	4k	8k
L <sub>WA</sub> Duct	dB(A)	72	54	59	66	65	63	62	56	50
L <sub>WA</sub> Surrounding	dB(A)	58	52	39	42	50	54	50	46	40

With LDC 200-900

L <sub>WA</sub> Duct	dB(A)	57	52	52	53	41	32	18	25	30
----------------------	-------	----	----	----	----	----	----	----	----	----

Measuring point: q<sub>v</sub> = 0,085 m³/s, P<sub>s</sub> = 300 Pa



### RVK 200E2-L1

Mid-frequency band, Hz

	Hz	Tot	63	125	250	500	1k	2k	4k	8k
L <sub>WA</sub> Duct	dB(A)	74	56	61	68	67	65	64	58	52
L <sub>WA</sub> Surrounding	dB(A)	59	53	40	43	51	55	51	47	41

With LDC 200-900

L <sub>WA</sub> Duct	dB(A)	59	54	54	55	43	34	20	27	32
----------------------	-------	----	----	----	----	----	----	----	----	----

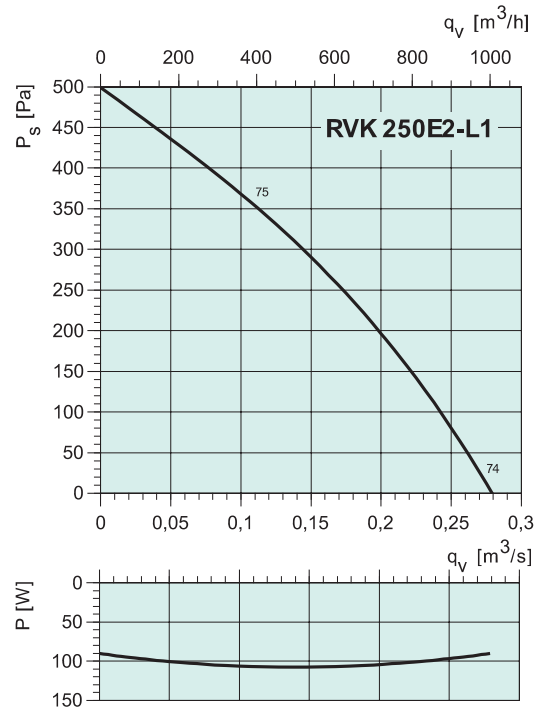
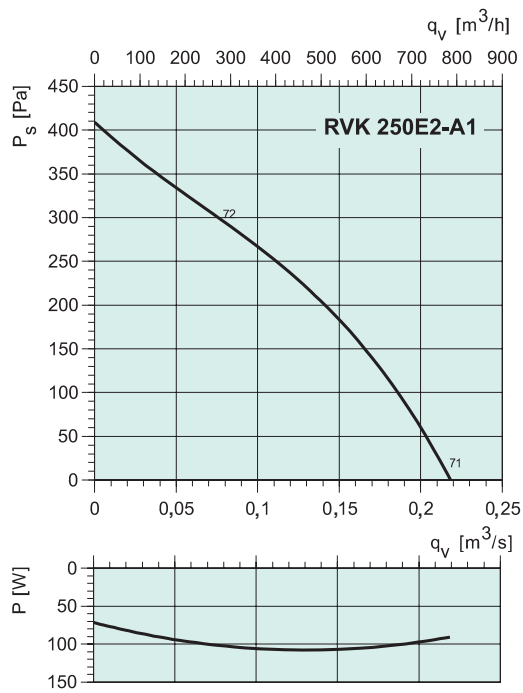
Measuring point: q<sub>v</sub> = 0,12 m³/s, P<sub>s</sub> = 350 Pa

### Electrical accessories



Transformer p. 479 Thyristor p. 481





### RVK 250E2-A1

**Mid-frequency band, Hz**

	Hz	Tot	63	125	250	500	1k	2k	4k	8k
$L_{WA}$ Duct	dB(A)	72	54	59	66	65	63	62	56	50
$L_{WA}$ Surrounding	dB(A)	51	45	32	35	43	47	43	39	33

**With LDC 250-900**

$L_{WA}$ Duct	dB(A)	59	53	53	55	44	36	23	31	31
---------------	-------	----	----	----	----	----	----	----	----	----

Measuring point:  $q_v = 0,08$  m³/s,  $P_s = 300$  Pa

### RVK 250E2-L1

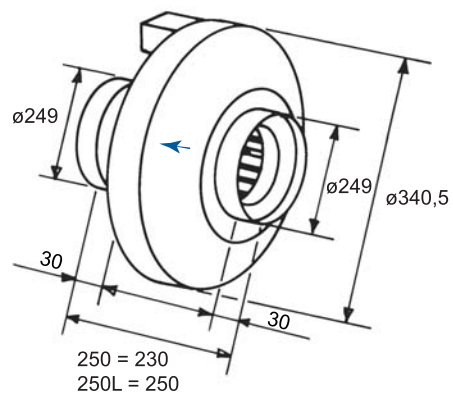
**Mid-frequency band, Hz**

	Hz	Tot	63	125	250	500	1k	2k	4k	8k
$L_{WA}$ Duct	dB(A)	75	57	62	69	68	66	65	59	53
$L_{WA}$ Surrounding	dB(A)	54	48	35	38	46	50	46	42	36

**With LDC 250-900**

$L_{WA}$ Duct	dB(A)	62	56	56	58	47	39	26	34	34
---------------	-------	----	----	----	----	----	----	----	----	----

Measuring point:  $q_v = 0,13$  m³/s,  $P_s = 350$  Pa



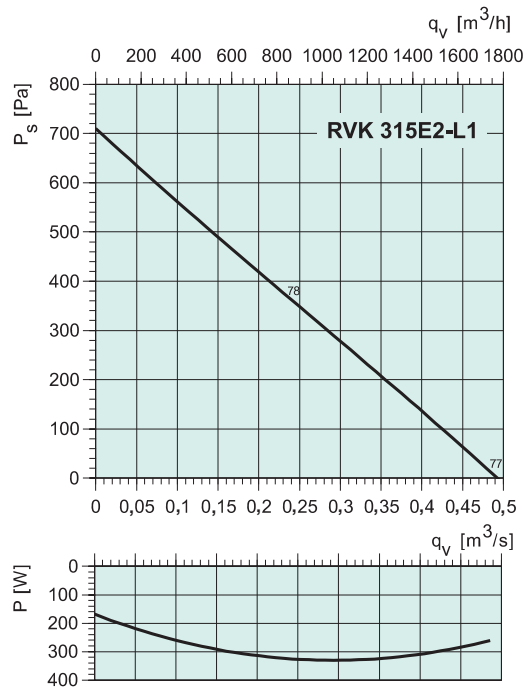
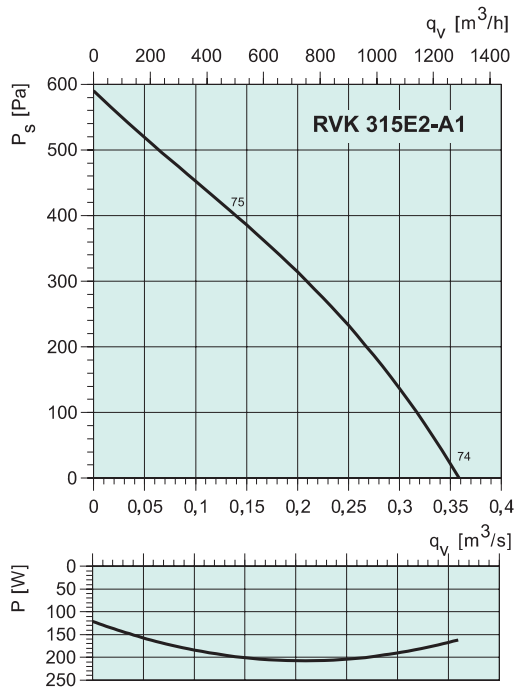
### Electrical accessories



Transformer p. 454 Thyristor p. 456







### RVK 315E2-A1

**Mid-frequency band, Hz**

	Hz	Tot	63	125	250	500	1k	2k	4k	8k
L <sub>WA</sub> Duct	dB(A)	75	57	62	69	68	66	65	59	53
L <sub>WA</sub> Surrounding	dB(A)	55	49	36	39	47	51	47	43	37

**With LDC 315-900**

L <sub>WA</sub> Duct	dB(A)	63	57	57	60	50	43	33	39	35
----------------------	-------	----	----	----	----	----	----	----	----	----

Measuring point: q<sub>v</sub> = 0,14 m<sup>3</sup>/s, P<sub>s</sub> = 400 Pa

### RVK 315E2-L1

**Mid-frequency band, Hz**

	Hz	Tot	63	125	250	500	1k	2k	4k	8k
L <sub>WA</sub> Duct	dB(A)	78	60	65	72	71	69	68	62	56
L <sub>WA</sub> Surrounding	dB(A)	57	51	38	41	49	53	49	45	39

**With LDC 315-900**

L <sub>WA</sub> Duct	dB(A)	66	60	60	63	53	46	36	42	38
----------------------	-------	----	----	----	----	----	----	----	----	----

Measuring point: q<sub>v</sub> = 0,24 m<sup>3</sup>/s, P<sub>s</sub> = 351 Pa

### Electrical accessories



Transformer p. 454 Thyristor p. 456